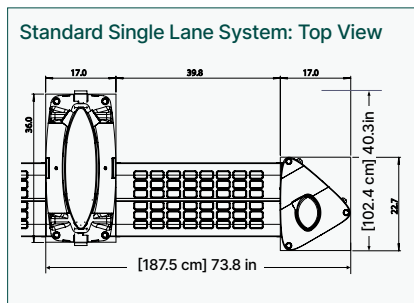
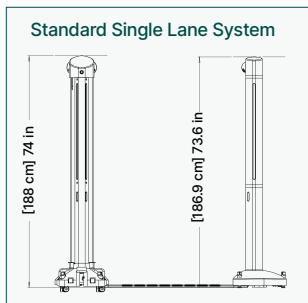
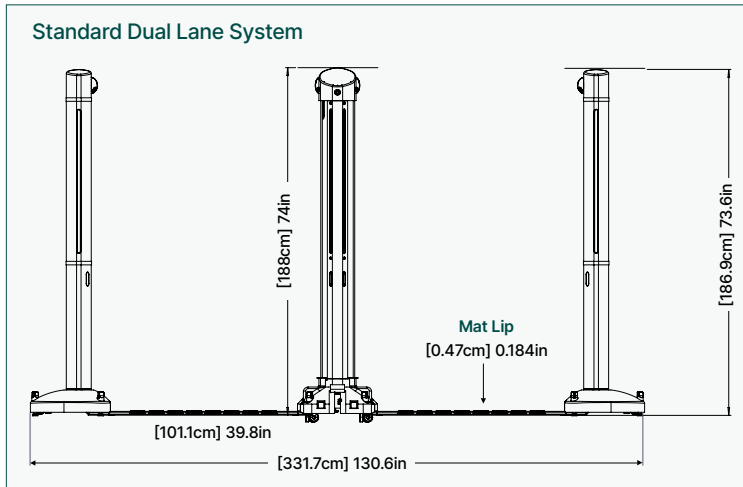


Specification Sheet

Evolv Express®



Note: Evolv Express® must not be sprayed with high- or low-pressure water or liquid; doing so could damage the system and will void the warranty. *All dimensions are +/- 1 cm.

Why Evolv

- Evolv Express® is the world's first and only touchless security screening solution that meets all of the post-pandemic security screening requirements
- Only Express can screen more than 3,600 people per hour, eliminating the long lines of legacy weapons screening such as metal detectors, wands, and pat downs, transforming human security
- With Express, no stopping is required, no emptying pockets or removing bags – people simply walk through this touchless security screening system
- Evolv has screened more than 100M people
- Evolv's products are in use worldwide at industrial workplaces, corporate offices, sports stadiums and arenas, entertainment and hospitality venues, government facilities, hospitals, schools, airports, security forces, critical infrastructure and places of worship

Environmental Specifications

Operating Temperature:	Min: -20C, Max: +55C*
Storage Temperature:	Min: -40C, Max: +70C
Relative Humidity:	Up to 95% (non-condensing)
Ingress Rating:	Standard IP54 Outdoor IP56**

*Shaded cover from direct sunlight required at elevated temperatures
**Power and data connectors are IP67, resisting water ingress up to 6"

Physical Specifications

Dimensions	Depth	40.3in (102.4cm)
	Width	Dual Lane: 130.6in (331.7cm) Single Lane: 73.8in (187.5cm)
	Height	74in (188cm)
	Weight	Dual Lane: 352 lbs (159.7kg) Single Lane: 281 lbs (127.5kg)
	Mat Lip	0.184in (0.47cm)
	Mat Height	0.89in (2.3cm)
Lane Opening	Width	Each 39.8in (101.1cm)
Power	Voltage	100VAC - 240VAC (+/-10%)
	Phase	Single Phase
Consumption	Typical	200W max power consumption
Input/Output:		Line Cord USB 2.0 (service access only) Ethernet (RJ45) for Tablet

Wired or Wireless User Interface Tablets

Tablet Options	<ul style="list-style-type: none"> • Choose from wired or wireless tablets • 2 per lane included, with 1 Floor and 1 Desktop Stand • Up to 3 tablets may be used per lane
Wired Tablet Specifications	<ul style="list-style-type: none"> • 15.6 inch Tablet (39.6 cm) • Outdoor 14 inch option ruggedized for weather protection and sunlight
Wireless Tablet Specifications	<ul style="list-style-type: none"> • Outdoor 14 inch Tablet ruggedized for weather protection and sunlight • Indoor 15.6 inch battery-powered tablet
Available Wireless Tablet Accessories	<ul style="list-style-type: none"> • Extra 90W Batteries • Battery Gang Charger (6 Battery Packs) • Single Bay Battery Charger with Adapter

Specification Sheet

Evolv Express® Software

Tablet Homescreen



User homescreen shows connectivity, system configuration, scanner statistics, notifications, one-touch request assistance, battery life indicator, and more.

Evolv Insights™



Evolv Insights analytics portal provides visitor arrival curves and alarm rates by date, location, and event type to support staffing decisions for more secure and efficient venue operations.

Other Specifications

Health & Safety	<ul style="list-style-type: none"> FCC CFR Part 15, CE Mark (CE Directives and Standards) Global CB Scheme per CBTL Safety Standard UL 61010, EN 61010 and IEC 61010 U.S. Americans with Disabilities Act Compliant Access
Optional Accessories & Add-Ons	<ul style="list-style-type: none"> Additional Wired or Wireless tablet with floor or desktop stand Thermal Imaging Package* Custom Panel Graphics Operational Test Kit
Available Integrations	<ul style="list-style-type: none"> 2 Situational Awareness Camera – Front and Rear** Integrate security cameras with existing Video Management System (VMS) Integrations exist with Milestone VMS and Titan HST Mass Notification and access control systems
Analytics Portal	<ul style="list-style-type: none"> View visitor analytics and alarm rate data by date, time, scanner, and location Improve security staffing and venue resource planning by analyzing past metrics
Mobile Application	<ul style="list-style-type: none"> Android- and iOS-compatible mobile application, with access to the portal and analytics

*Not available outside of the US
 **Camera ports are isolated from Express internal and external networks